

BAHAMAMA

SHAMPOO UNIT
SH-505

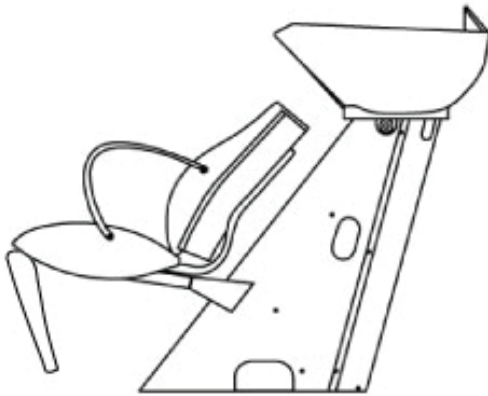


**TAKARA
BELMONT**

TODAY. TOMORROW. ALWAYS.

BAHAMA

The Bahama Shampoo Unit adds a sleek and chic look to your salon. The stainless steel base and shiny chrome arms are easy to keep clean and made to last. The large tilting ceramic bowl and extendable foot rest add to the all over comfort of the chair. The Bahama is ergonomically designed for good lumbar support so clients will never complain of a sore back in this chair!



SH-505

Standard Features:

Vinyl covered seat, polished aluminum armrests, stainless steel structure, tilting basin made of white ceramic.

Chair Specifications:

Measurements: 24.8"W x 40.75"H x 51.58"L

Measurements with Leg Extended: 24.8"W x 40.75" H x 63.78"L

Weight: 129.8 lbs

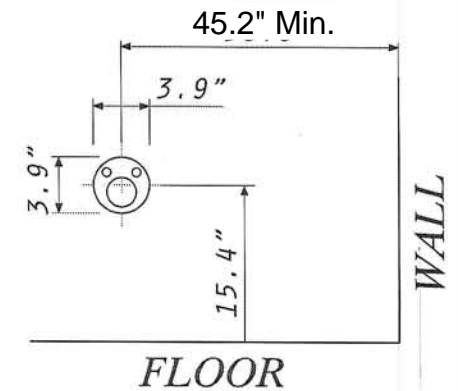
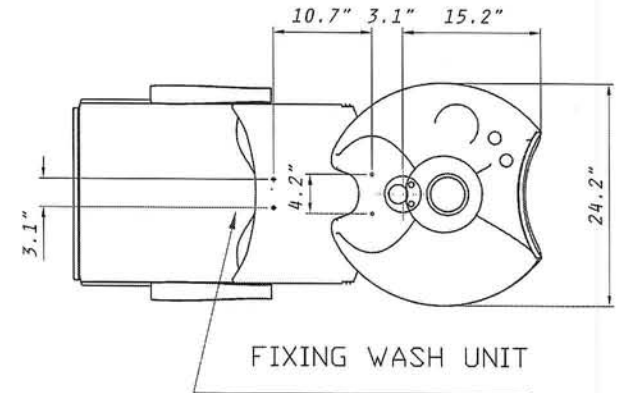
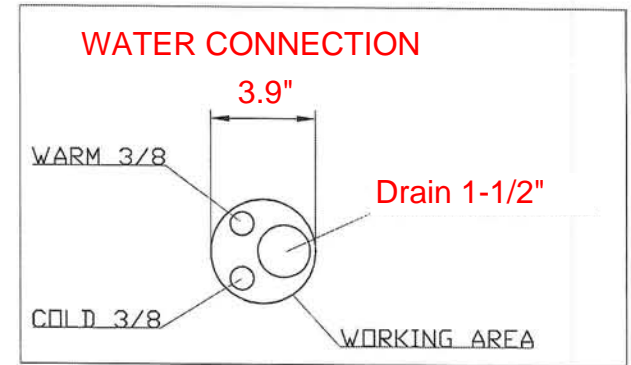
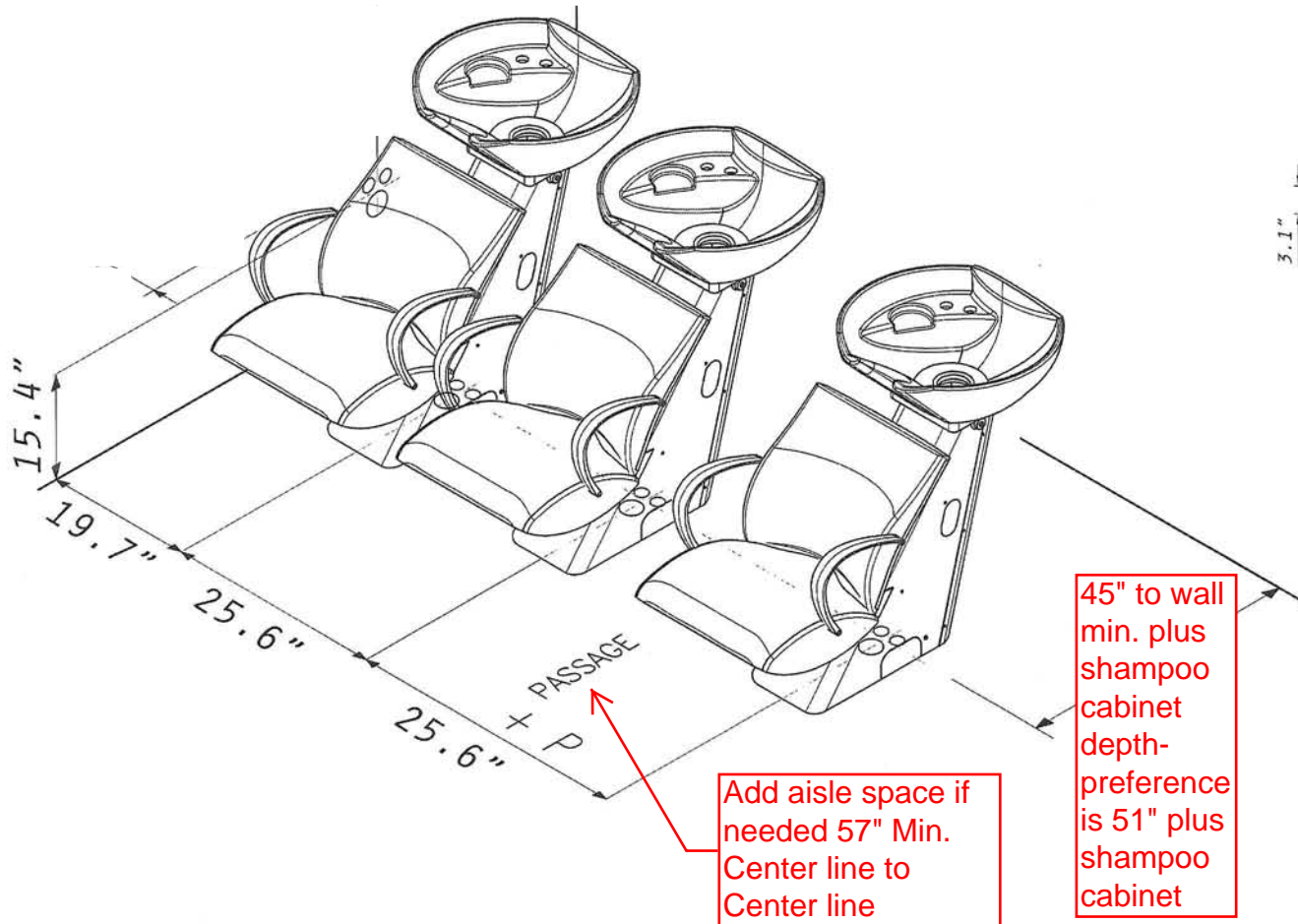
TAKARA BELMONT USA, INC. SHOWROOMS AND DESIGN CENTERS



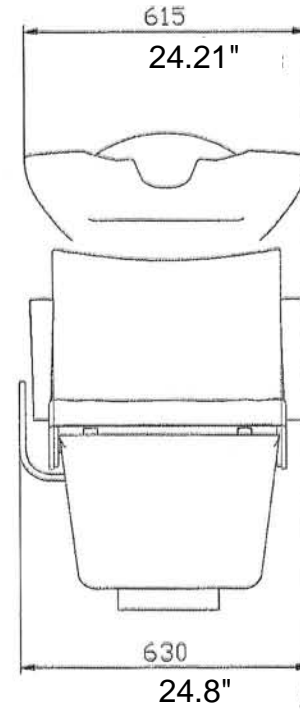
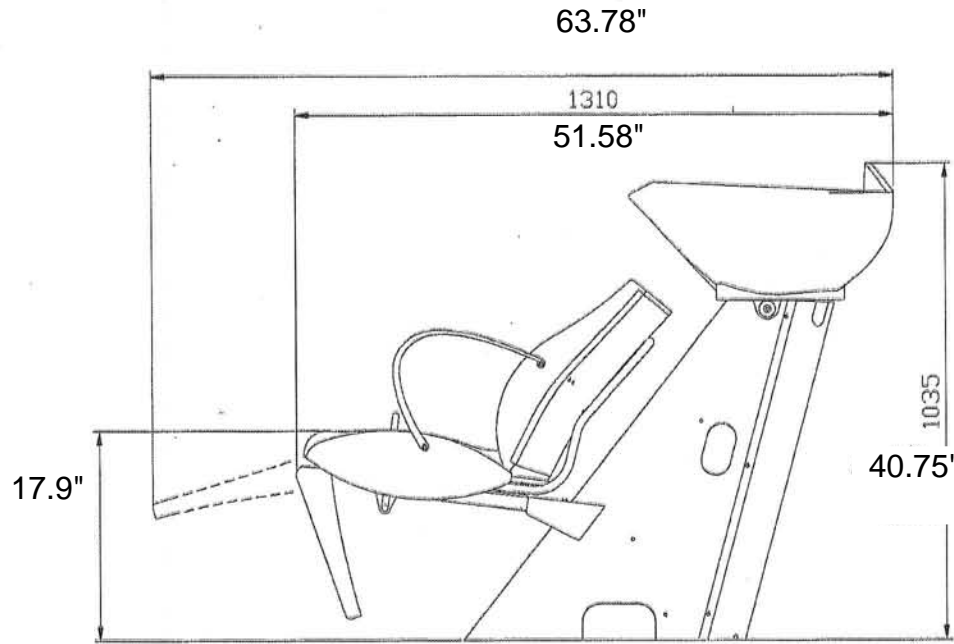
TODAY. TOMORROW. ALWAYS.

BAHAMA WASH-UNIT

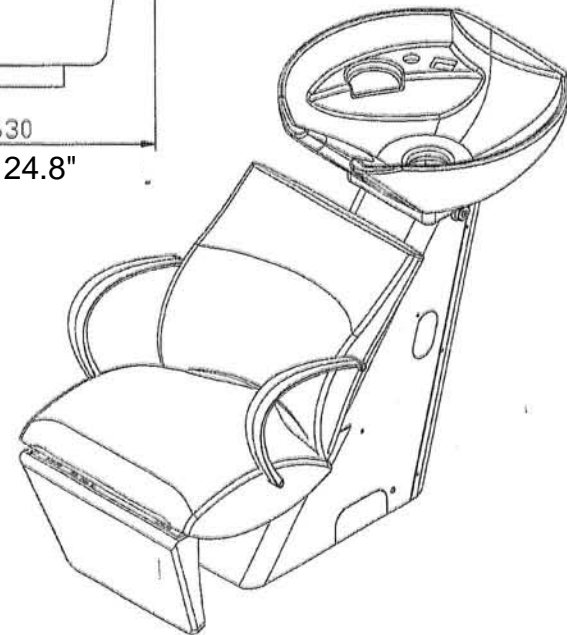
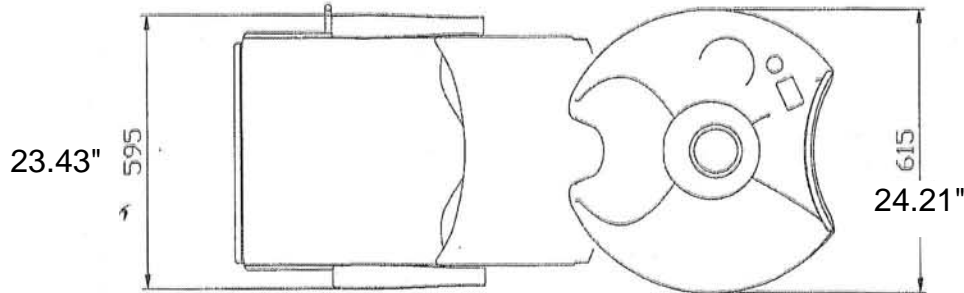
UNIT MUST BE POSITIONED WITH A DISTANCE OF 24 INCHES FROM THE BACK OF THE BASIN TO THE WALL.



LAVAGGIO BAHAMAS PLUS TAKARA



weight: 59kg=
129.8lbs



Back Shampoo Plumbing Guide

(For SH-400 / SH-465 / SH-470 / SH-480 / SH-495)



Note : Plumbing should be performed by a qualified technician and should meet all national and local plumbing codes and ordinances. It is the responsibility of purchaser and/or plumber to conform to national and local codes and ordinances. This guide is only for use as a reference. Takara Belmont does not take any responsibility or liability for plumbing and installation.

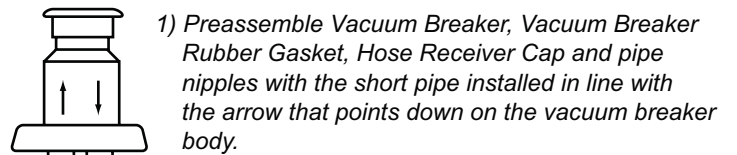
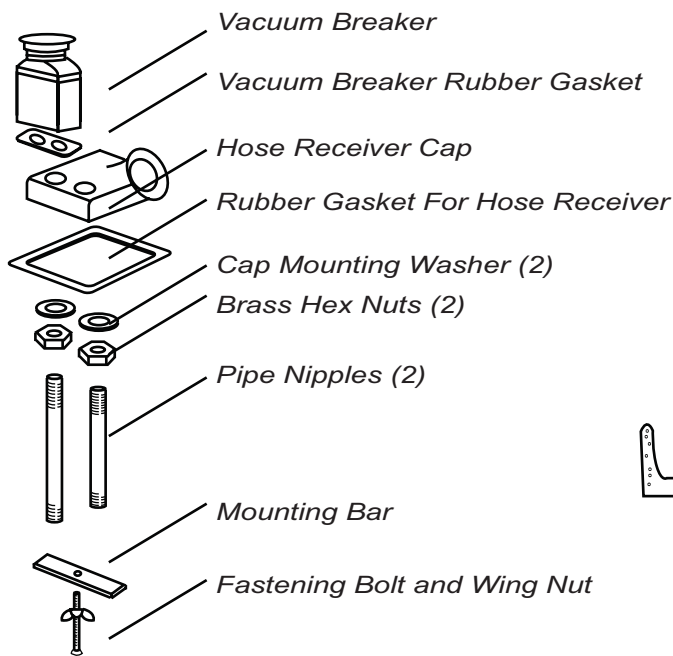


101 Belmont Drive
Somerset, NJ 08873

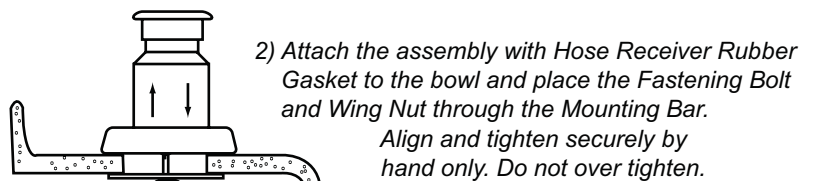


1. Suggested Procedure for Assembly of Vacuum Breaker

(If you install "#800 Pull-Out Single Lever Shampoo Fixture w/Built-In Vacuum Breaker" or bowl is not equipped with a vacuum breaker, please skip this part)



Note : Use teflon tape on threads at both ends of the nipples

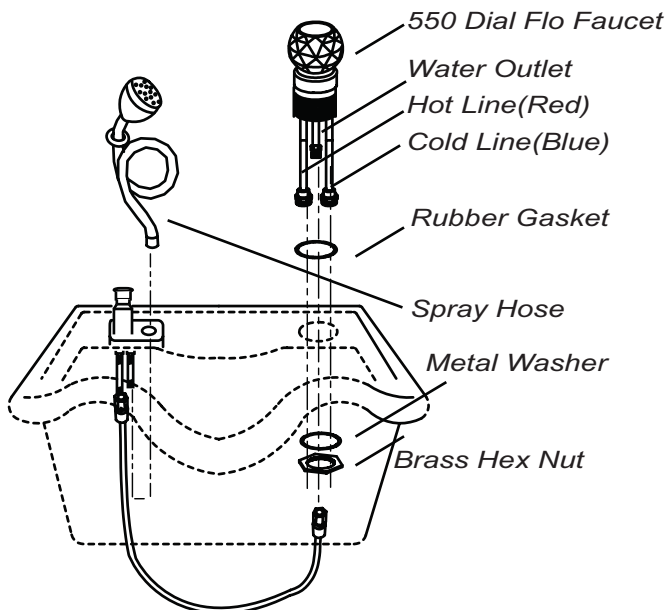


(Hose receiver only (without Vacuum Breaker) can be assembled the same way as above.)

3) Attach connecting hose to the long pipe nipple (arrow pointing up)

2. Suggested procedure for Assembly of Faucet and Shampoo Spray Hose

2-1. Assembly of #550 Dial Flo Faucet



Note : Secure the flexible hose of #550 Dial Flo Faucet prior to mounting bowl

Note : Flushing hot and cold lines before attaching fixture is recommended

Note : Use teflon tape on threads

- 1) Insert #550 Faucet with Rubber Gasket into Bowl as shown.
- 2) Place Metal Washer over threaded body of fixture and tighten securely with Brass Hex Nut. Make sure the pointed tip on handle is pointed to rear of the bowl.
- 3) Connect the hose from Vacuum breaker to Water Outlet pipe.
- 4) Insert Spray Hose through Receiver Cap and attach to the short pipe nipple of Vacuum Breaker (arrow pointing down.)
- 5) If Vacuum breaker is not used, connect the Spray Hose to Water Outlet pipe of 550 faucet.

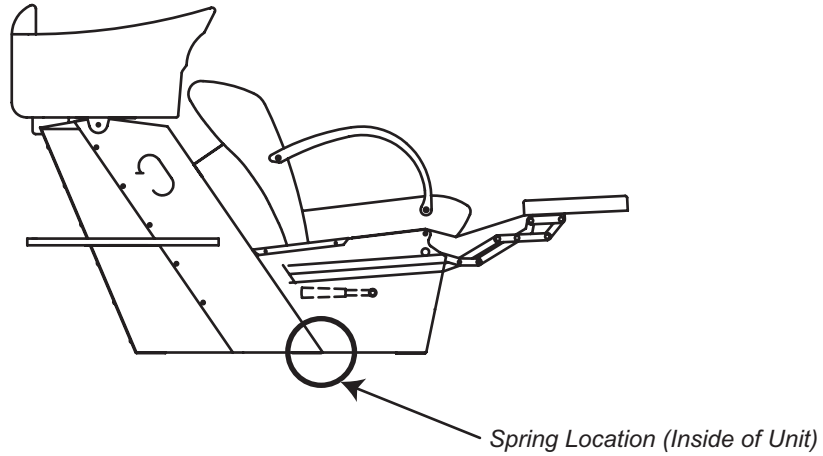
Note : Apply clear silicone sealant as required around fittings for a water tight seal.



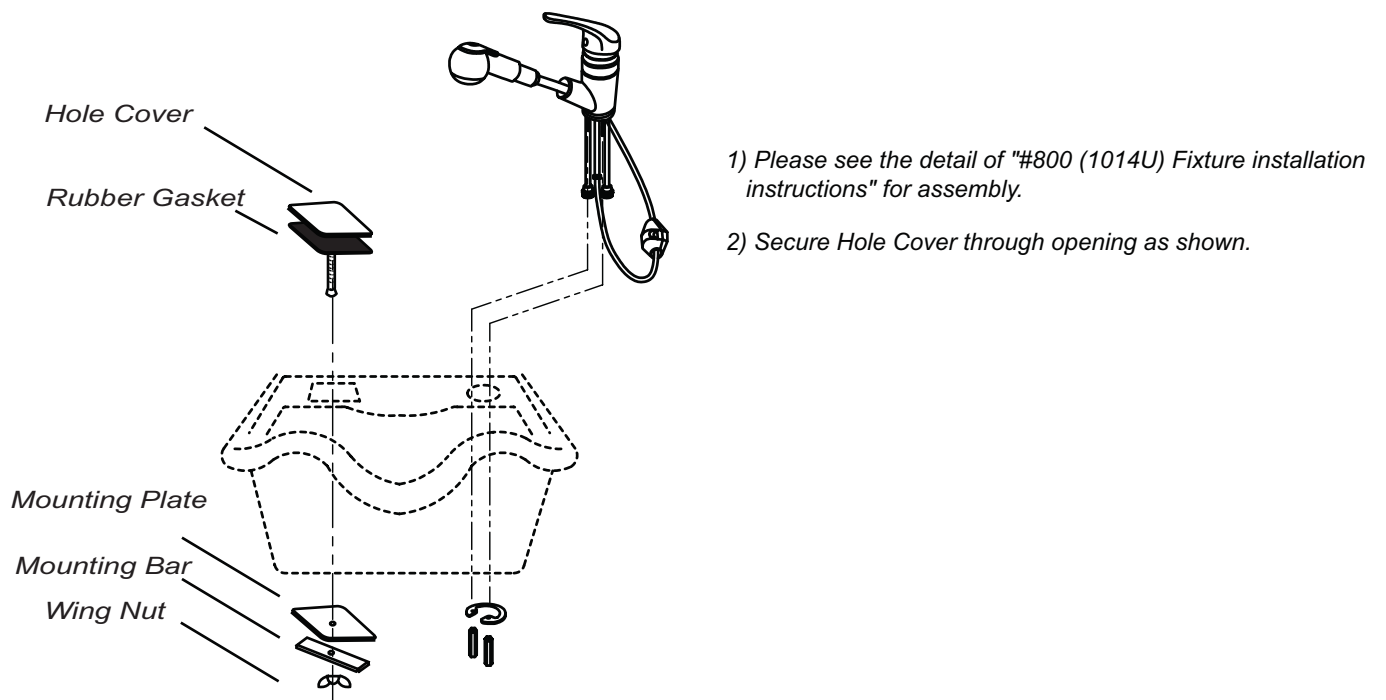
2-1. Continued

Special Instruction : SH-400 Return Spring for Spray Hose (Spray hose assembly instruction for SH-400 only.)

- 1) *Spray Hose end goes into Hose Receiver Cap.*
- 2) *Hose end goes through the loop in the spring inside the body (See below.)*
- 3) *Attach the hose end to either the vacuum breaker nipple or the outlet of the fixture.*

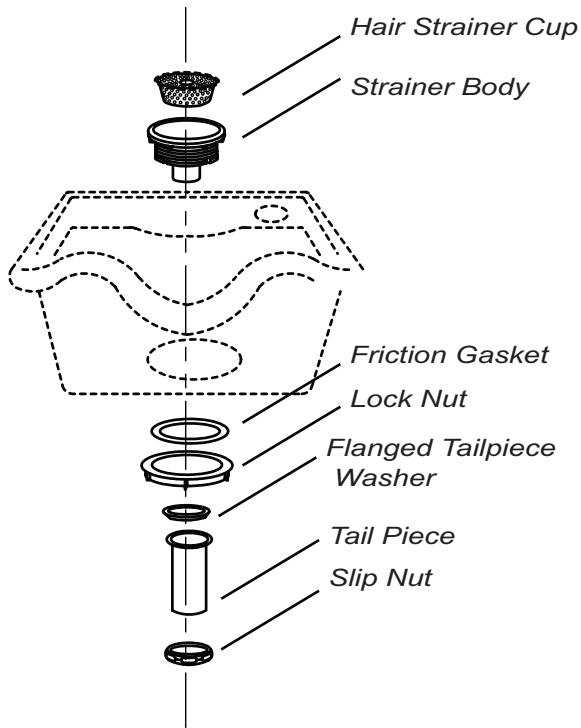


2-2. #800 Pull-Out Single Lever Shampoo Fixture w/Built-In Vacuum Breaker (and Hole cover)



3. Suggested procedure for drain assembly

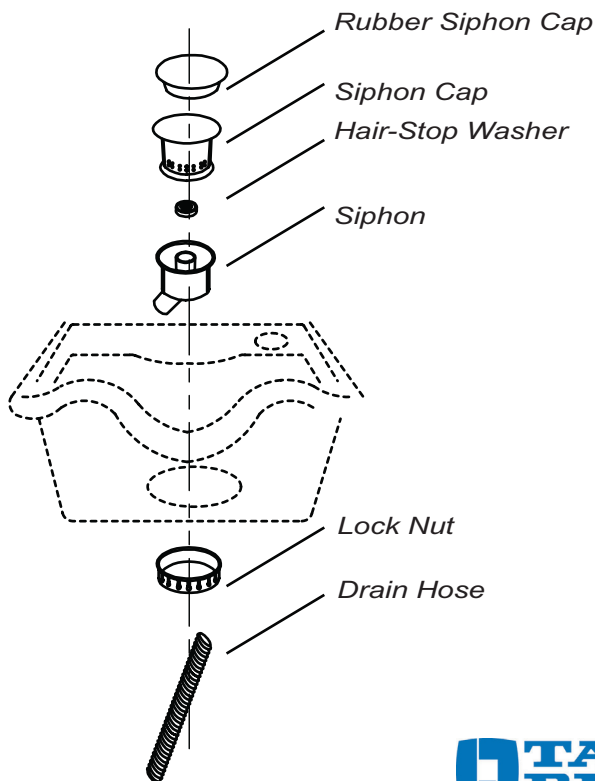
3-1. Installing the Metal drain assembly



- 1) Remove all components from Strainer Body.
- 2) Take a generous amount of plumbers putty and roll it between your hands to form a bead approximately 3/8" thick. Place the bead around the top of the bowl drain hole right next to the edge.
- 3) Carefully insert Strainer Body through the bowl drain hole and press it into the bead of putty.
- 4) Hold Strainer Body firmly in place while installing. Friction Gasket first under the bowl.
- 5) Thread on Lock Nut while holding Strainer Body firmly in place and tighten securely using basin wrench.
- 6) Place Flanged Tailpiece Washer onto Tail Piece and install Slip Nut with treads up-wards on Drain Tail Piece and screw onto threaded shank of Strainer Body.
- 7) Remove excess putty from around the edge of the strainer inside of the bowl.
- 8) Attach the drain hose using a hose clamp and apply silicon sealant as required around fitting for a water tight seal.
- 9) Check carefully for any leaks prior to putting the unit into use.

(When assembling Hair Trap, please follow the instruction manual for Hair Trap)

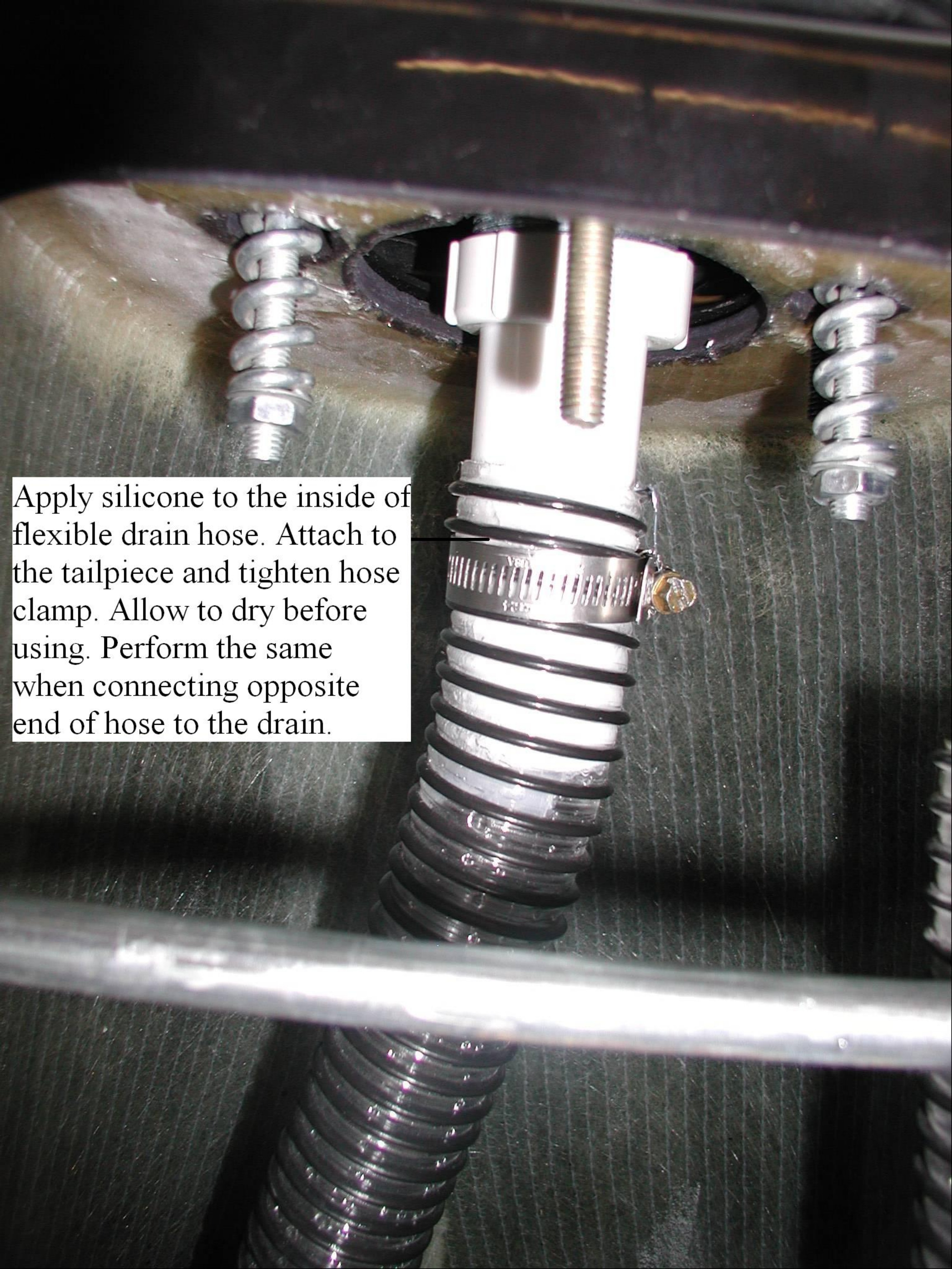
3-2. Installing the Plastic drain assembly



- 1) Remove all components from Siphon.
- 2) Take a generous amount of plumbers putty and roll it between your hands to form a bead approximately 3/8" thick. Place the bead around the top of the bowl drain hole right next to the edge.
- 3) Carefully insert Siphon through the bowl drain hole and press it into the bead of putty.
- 4) Thread on Lock Nut while holding Siphon firmly in place and tighten securely.
- 5) Remove excess putty from around the edge of the siphon inside of the bowl.
- 6) Attach the drain hose using a hose clamp and apply silicon sealant as required around fitting for a water tight seal.
- 7) Check carefully for any leaks prior to putting the unit into use.

(When assembling Hair Trap, please follow the instruction manual for Hair Trap)



A close-up photograph of a drain hose connection. A white plastic tailpiece is inserted into a hole in a metal surface. A flexible drain hose is attached to the bottom of the tailpiece. A metal hose clamp is wrapped around the connection point. Two screws are visible on either side of the tailpiece, securing it to the metal surface. A text box is overlaid on the left side of the image, providing instructions for applying silicone to the hose.

Apply silicone to the inside of flexible drain hose. Attach to the tailpiece and tighten hose clamp. Allow to dry before using. Perform the same when connecting opposite end of hose to the drain.